



EU DECLARATION OF CONFORMITY
DECLARACIÓN UE DE CONFORMIDAD

3EBasor

CABLE TRAY SPECIALIST

www.basor.com



Certificate N° 3198065/11



Certificate N° 3198065/12

The company / *La Empresa:*

BASOR ELECTRIC, S.A.

Address / *Dirección:*

Av. Alcodar, 45-47, 46700. Gandía (VLC), Spain.

Declares that the product:

Declara que el producto:

BASORSUPPORT SCR

Installed in accordance to the installation standards, manufacturer's instructions and professional rules, duly maintained and used for the applications as intended.

Instalado de acuerdo con las normas de instalación, instrucciones del fabricante y conforme a las reglas profesionales, debidamente mantenido y utilizado en las aplicaciones para las que está previsto.

Complies with the essential requirements of the Council Directives:

Cumple con los requisitos esenciales de las Directivas del Consejo:

2014/35/UE (Low Voltage Directive) / (Directiva de Baja Tensión)

Incorporated in the Spanish Legislation in: R.D. 187/2016.

Incorporado en la Legislación Española en: R.D. 187/2016.

And it is suitable and safe for the intended use and it is in conformity with the following standard:

Es adecuado y seguro para el uso a que está destinado y es conforme con la siguiente norma:

UNE EN 61537

Additional information:

Información adicional:

This product is intended to be installed and maintained by skilled persons, it may be used by ordinary persons only as a replacement part, to substitute for an identical device.

Este producto está previsto para ser instalado y mantenido por un profesional, puede ser usado por una persona no formada para reemplazamiento de uno idéntico.

Place and date:

Lugar y fecha:

Gandía May 2016

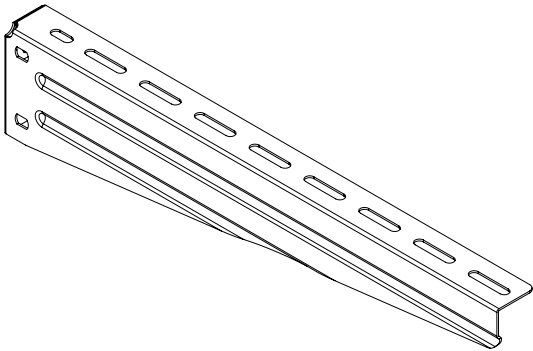
Gandía Mayo 2016

Technical Department / Departamento técnico

UNE-EN 61537
REV.08/10/2019



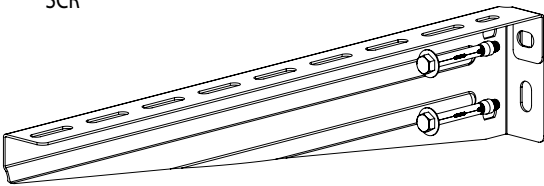
SCR SS304 / SS316 HORIZONTAL SUPPORT



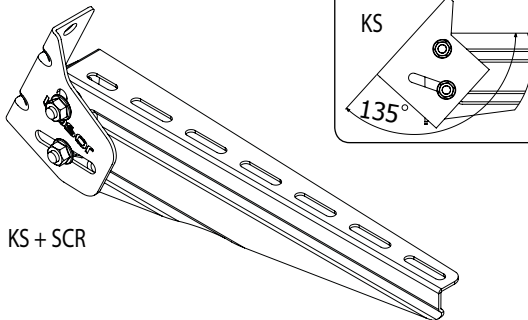
- Models (B):
400
- Materials: SS304, SS316
- Characteristics:
- Metallic
 - Non-flame propagating component
 - With electrical continuity
 - Electrically conductive component
 - Minimum temperature of -50 °C
 - Maximum temperature of 150 °C
 - Resistance to corrosion:
- SS304: class 9C
SS316: class 9D

ASSEMBLING INSTRUCTIONS

SCR



- To set up the support to the wall two anchorages are needed.
- To fix BASORTRAY trays B1 set is needed, to fix BASORFIL basket tray CTBF set is needed.
- It could be used as horizontal support with PC profile, SPL, SP, SZ, SU, SUL and SPD as vertical supports.



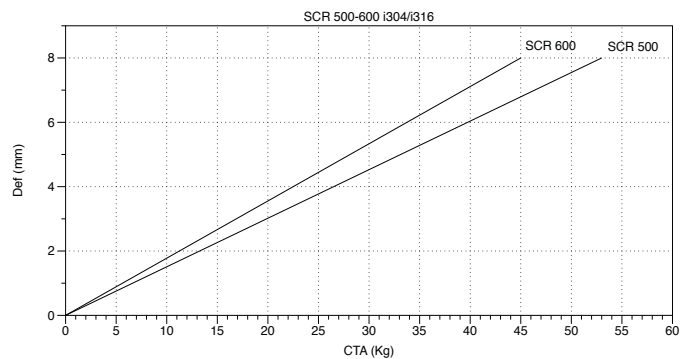
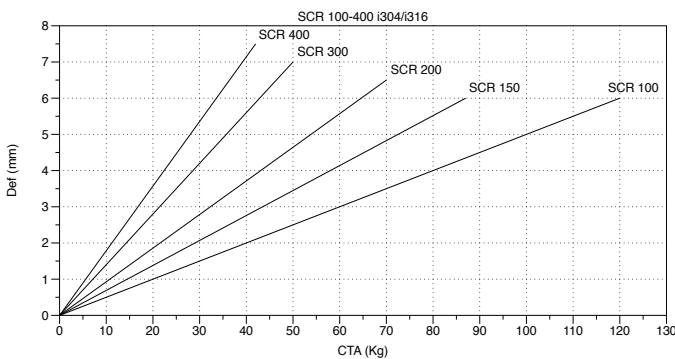
KS + SCR

KS

135°

- To set up the support in sloped surfaces until 135 degrees use the Simple Wall Bracket Accessory with 2 B2 bolt sets and 2 anchorages.
- Tray installations for electrical systems should NOT run under other types of canalisations such as water, vapour or gas.
- To guarantee a good ventilation we recommend installing the trays keeping a minimum distance of 250 mm (10") between each tray.
- To allow optimal ventilation of the cables, trays placed on supports must be separated 20 mm (4/5") from the wall.

SAFE WORKING LOAD



This technical data sheet issued accordingly to the fulfillment of the product Standard, is itself a necessary analyses of the electric risks according to the low tension Directive 2014/35/UE of February 26th 2014, in effect from May 20th 2016.

UNE-EN 61537
 REV.08/10/2019

SAFE WORKING LOAD

