



EU DECLARATION OF CONFORMITY
DECLARACIÓN UE DE CONFORMIDAD

3EBasor

CABLE TRAY SPECIALIST

www.basor.com



Certificado Nº SGI 3198065/11



Certificado Nº SGI 3198065/12

The company / *La Empresa:*

BASOR ELECTRIC, S.A.

Address / *Dirección:*

Av. Alcodar, 45-47, 46700. Gandía (VLC), Spain.

Declares that the product:

Declara que el producto:

BASORCANAL CT SS304 / BASORCANAL CT I304

Installed in accordance to the installation standards, manufacturer's instructions and professional rules, duly maintained and used for the applications as intended.

Instalado de acuerdo con las normas de instalación, instrucciones del fabricante y conforme a las reglas profesionales, debidamente mantenido y utilizado en las aplicaciones para las que está previsto.

Complies with the essential requirements of the Council Directives:

Cumple con los requisitos esenciales de las Directivas del Consejo:

2014/35/UE (Low Voltage Directive) / (Directiva de Baja Tensión)

Incorporated in the Spanish Legislation in: R.D. 187/2016.

Incorporado en la Legislación Española en: R.D. 187/2016.

And it is suitable and safe for the intended use and it is in conformity with the following standard:

Es adecuado y seguro para el uso a que está destinado y es conforme con la siguiente norma:

UNE EN 50085-1

UNE EN 50085-2-1

Additional information:

Información adicional:

This product is intended to be installed and maintained by skilled persons, it may be used by ordinary persons only as a replacement part, to substitute for an identical device.

Este producto está previsto para ser instalado y mantenido por un profesional, puede ser usado por una persona no formada para reemplazamiento de uno idéntico.

Place and date:

Lugar y fecha:

Gandía May 2016

Gandía Mayo 2016

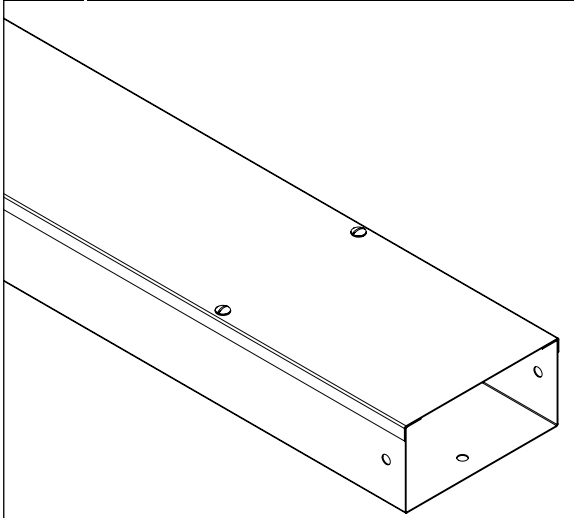
Technical department / *Departamento Técnico*



Certificado Nº SGI 3198065/11

Certificado Nº SGI 3198065/12

CT SS304



Models (BxH):

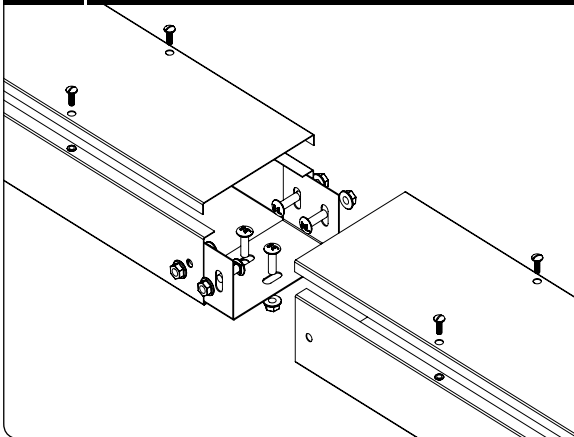
40X80; 40X120; 60X120; 80X140.

Material: SS304

Characteristics:

- Metallic
- Impact Strength: 20J
- Minimum storage temperature: -45 °C
- Minimum installation temperature: -25 °C
- Maximum temperature: 120 °C
- Non-flame propagating component
- System with electrical continuity
- Non-insulating component
- Degree of protection:
 - IP40
 - IP65 (using IP65 joint-cover and Bupreno tape)
- Cover can not be opened without tool

ASSEMBLING INSTRUCTIONS



- To assembly two straight section one JUCT union joint and 6 B1 bolt sets are needed
- Cover is fixed using M4x10 screws
- Tray installation for electrical systems should NOT run under other types of canalisations such as water, vapour or gas canalisations.
- To guarantee a good ventilation, we recommend installing the trays keeping a minimum distance of 250 mm between each tray.
- Trays placed on supports shall have to keep a gap of 20 mm from the wall to allow the correct ventilation of the cables.

Accessories:

Horizontal Bend CPT, Vertical Inside/Outside Bend CCCT, End Cap, Union Joint, Derivation Box.