



EU DECLARATION OF CONFORMITY
DECLARACIÓN UE DE CONFORMIDAD

3EBasor
CABLE TRAY SPECIALIST
www.basor.com

The company / *La Empresa:*

BASOR ELECTRIC, S.A.

Address / *Dirección:*

Av. Alcodar, 45-47, 46700. Gandía (VLC), Spain.

Declares that the product:

Declara que el producto:

BASORTRAY BF2R

Installed in accordance to the installation standards, manufacturer's instructions and professional rules, duly maintained and used for the applications as intended.

Instalado de acuerdo con las normas de instalación, instrucciones del fabricante y conforme a las reglas profesionales, debidamente mantenido y utilizado en las aplicaciones para las que está previsto.

Complies with the essential requirements of the Council Directives:

Cumple con los requisitos esenciales de las Directivas del Consejo:

2014/35/UE (Low Voltage Directive) / (Directiva de Baja Tensión)

Incorporated in the Spanish Legislation in: R.D. 187/2016.

Incorporado en la Legislación Española en: R.D. 187/2016.

And it is suitable and safe for the intended use and it is in conformity with the following standard:

Es adecuado y seguro para el uso a que está destinado y es conforme con la siguiente norma:

EN IEC 61537

Additional information:

Información adicional:

This product is intended to be installed and maintained by skilled persons, it may be used by ordinary persons only as a replacement part, to substitute for an identical device.

Este producto está previsto para ser instalado y mantenido por un profesional, puede ser usado por una persona no formada para reemplazamiento de uno idéntico.

Place and date:

Lugar y fecha:

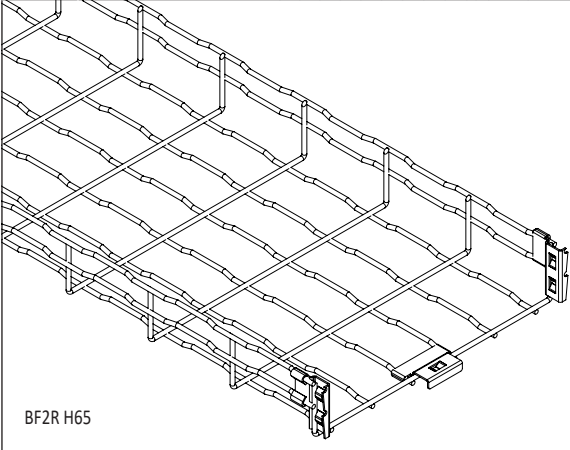
Gandía May 2016

Gandía Mayo 2016

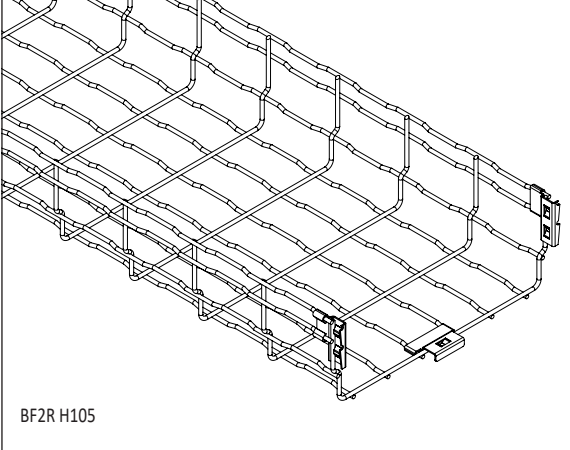
Technical Department / Departamento técnico



BF2R



BF2R H65



BF2R H105


Models (BxH):
60x65; 100x65; 150x65; 200x65; 300x65; 400x65; 500x65; 600x65;
100x105; 150x105; 200x105; 300x105; 400x105; 500x105; 600x105.

Materials and Coating:
Steel C9D (acc. to EN ISO 16120):
EZ, EZ1000: Electroplated acc. to ISO 2081.
SS304: Stainless Steel AISI 304L / EN 1.4307.
SS316: Stainless Steel AISI 316L / EN 1.4404.

Characteristics of the cable tray:

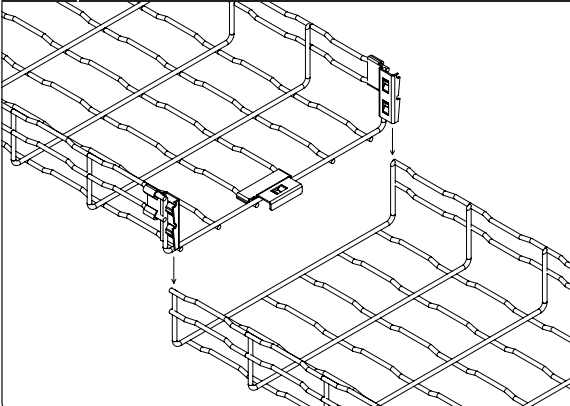
- Metallic
- Non-flame propagating component
- System with electrical continuity
- Electrically conductive component
- Minimum temperature of -50 °C
- Maximum temperature of 150 °C
- Impact Strength: 20J
- With metallic coating; resistance to corrosion:
EZ coating: class 3
EZ1000 coating: class 8+ (>1000 hours in salt spray test)
SS304: class 9C
SS316: class 9D
- Comply with RoHS, 2011/65/UE
- Classification acc. to the free base area:

Models	Classification
60	X
100	Y
150	Z
200	Y
300	Y
400	Y
500	Y
600	Y



UL CERTIFIED
SAFETY US-CA
E358301

ASSEMBLING INSTRUCTIONS



- BASORFIL BF2R cable trays don't need additional elements for the assembly. Each straight element include the union joints. To mount the trays place the cable tray with the union joints over the last tray end and apply pressure as shown in the picture.
- The position of the union must be placed between L/4 and L/5 from the support, being "L" the distance between supports.
- Tray installations for electrical systems should NOT run under other types of canalisations such as water, vapour or gas.
- To guarantee a good ventilation we recommend installing the trays keeping a minimum distance of 250 mm between each tray.
- To allow optimal ventilation of the cables, trays placed on supports must be separated 20 mm from the wall.

Accessories:

The family has a large range of accessories: Cover TERE/TEBFR, divider profile PS, drop out plate BJC.

Accessories for cut and works on site: Quick joint, bolt and staple set, lateral union set, bf bolt and nut set, multiunion joint.

Support accessories: SSC central suspension, SL support, SLS, universal box support SUC, mini universal box support SUCM.

SAFE WORKING LOAD

